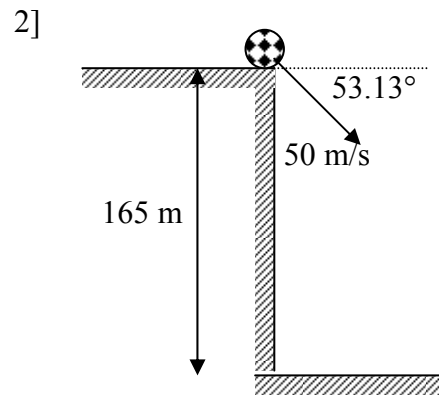
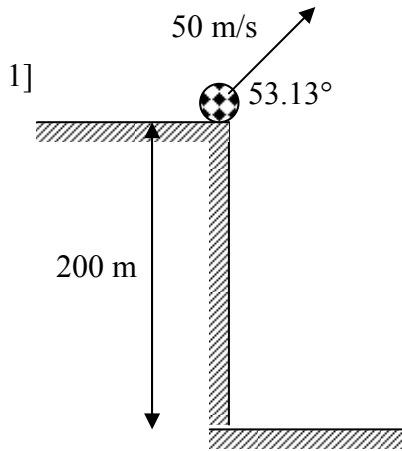


**W2.06B****PROJECTILES B**

[A] Find the range ( $\Delta s_x$ ) for each of the following projectiles. [B] Find the magnitude & direction of the ball's velocity the instant before it strikes the ground.



3] What is the distance between the two cliffs if the projectile is to hit the top edge of the right hand cliff?

