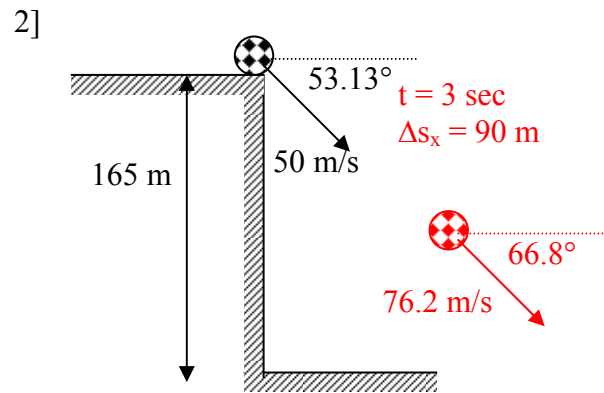
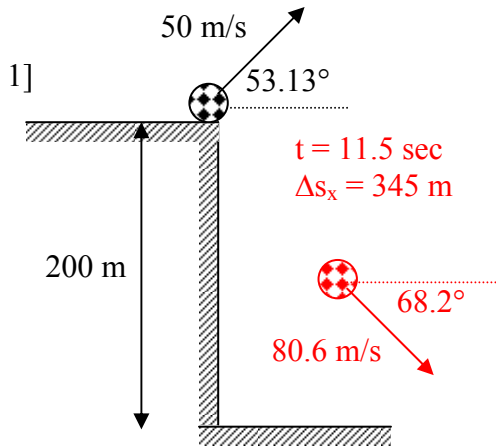


W2.06B**PROJECTILES B - KEY**

[A] Find the range (Δs_x) for each of the following projectiles. [B] Find the magnitude & direction of the ball's velocity the instant before it strikes the ground.



3] What is the distance between the two cliffs if the projectile is to hit the top edge of the right hand cliff?

$t = 2 \text{ sec}$ [hits on way up]
 $\Delta s_x = 80 \text{ meters}$

$t = 4 \text{ sec}$ [hits on way down]
 $\Delta s_x = 160 \text{ meters}$

