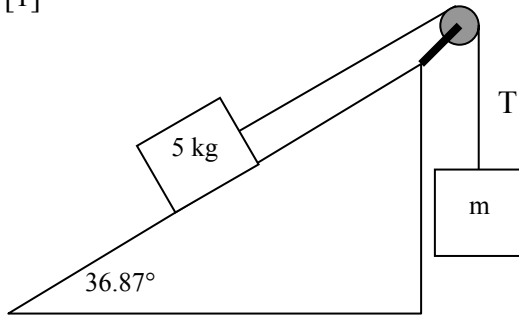


W3.05

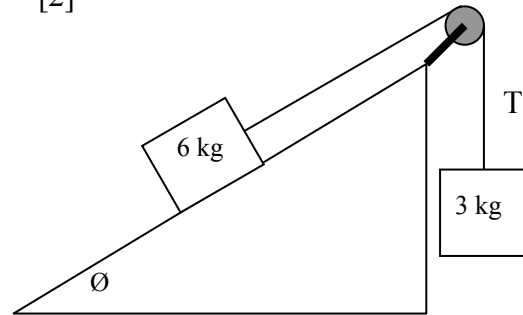
STATIC EQUILIBRIUM
Boxes-E [frictionless $\mu=0$]

[1]



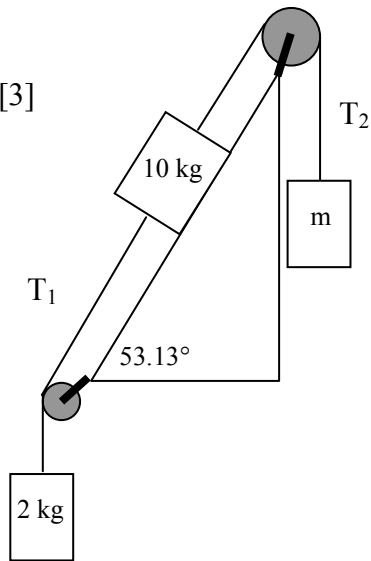
$T = \underline{\hspace{2cm}}$ mass of box = $\underline{\hspace{2cm}}$

[2]



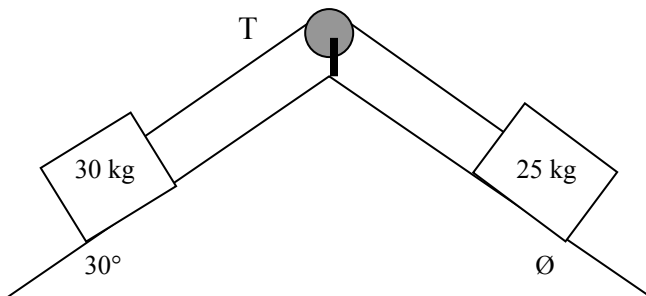
$T = \underline{\hspace{2cm}}$ $\theta = \underline{\hspace{2cm}}$

[3]



$T_1 = \underline{\hspace{2cm}}$ mass of box = $\underline{\hspace{2cm}}$

[4]



$T = \underline{\hspace{2cm}}$ $\theta = \underline{\hspace{2cm}}$