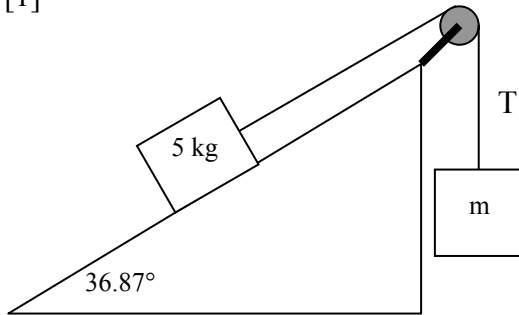


W3.05

STATIC EQUILIBRIUM-KEY

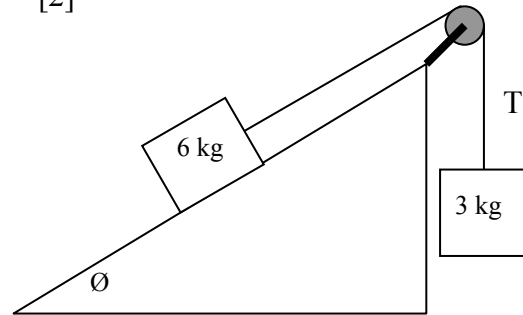
Boxes-E [frictionless $\mu=0$]

[1]



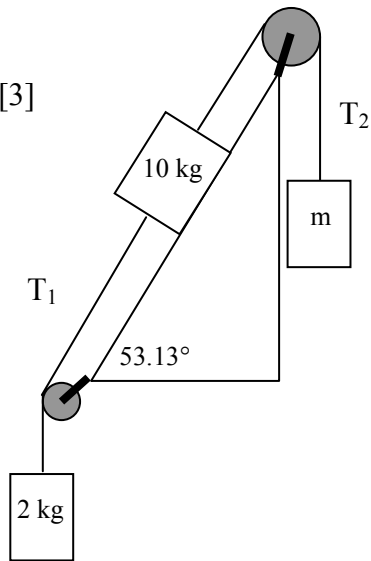
$T = \underline{30 \text{ N}}$ mass of box = $\underline{3 \text{ kg}}$

[2]



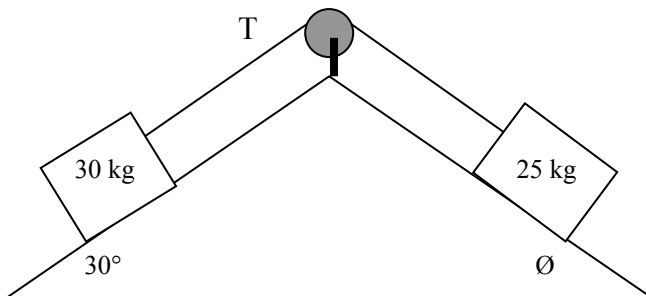
$T = \underline{30 \text{ N}}$ $\theta = \underline{30^\circ}$

[3]



$T_1 = \underline{20 \text{ N}}$ mass of box = $\underline{10 \text{ kg}}$

[4]



$T = \underline{150 \text{ N}}$ $\theta = \underline{36.87^\circ}$