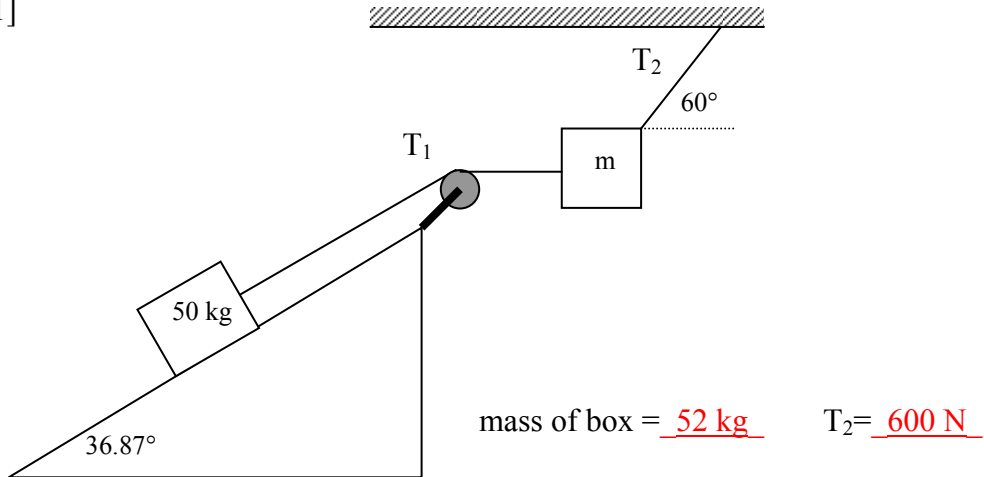


**W3.06**

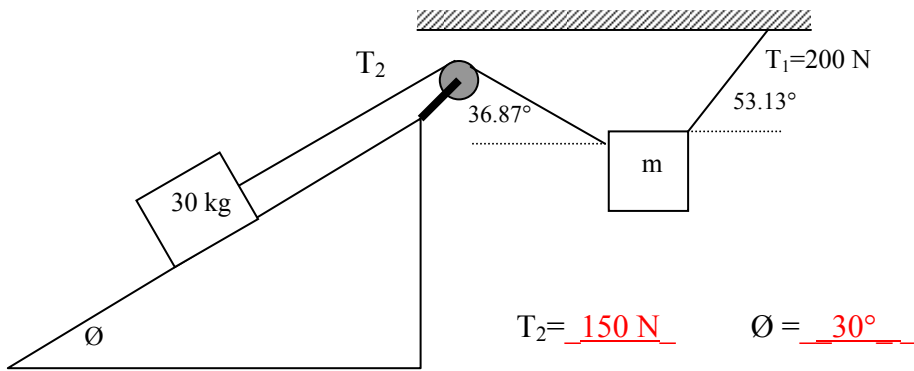
### STATIC EQUILIBRIUM -KEY

Boxes-E [frictionless  $\mu=0$ ]

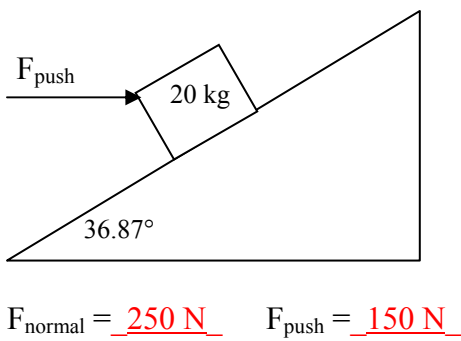
[1]



[2]



[3]



[4]

