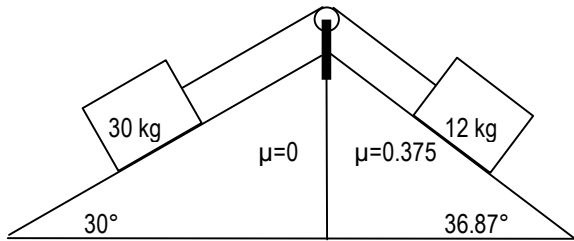
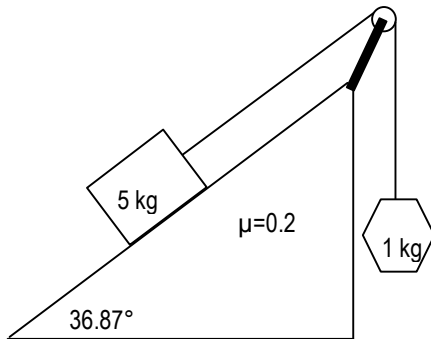


W3.15**F = ma Systems**

Find the acceleration of the system and tensions in all ropes. All systems accelerate from rest.
[1]



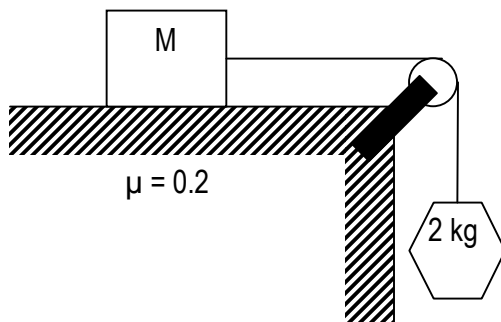
[2]



- Find a .
- Find T .
- How far does the 3 kg block slide in 2 seconds?
- How high should μ be to let the 3 kg block slide down at a constant v ?

[3] A car, initially at traveling at 30 m/s, slides to a stop. What μ is required for the car to stop in 75 meters?

[4]



The 2-kg mass accelerates from rest. It falls 8 meters in the first 4 seconds. What is the mass of block M ?