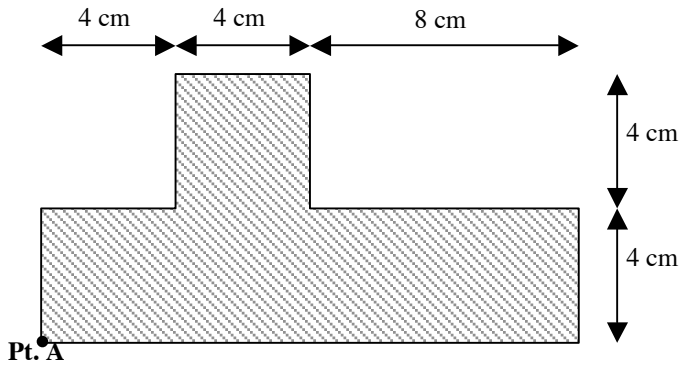


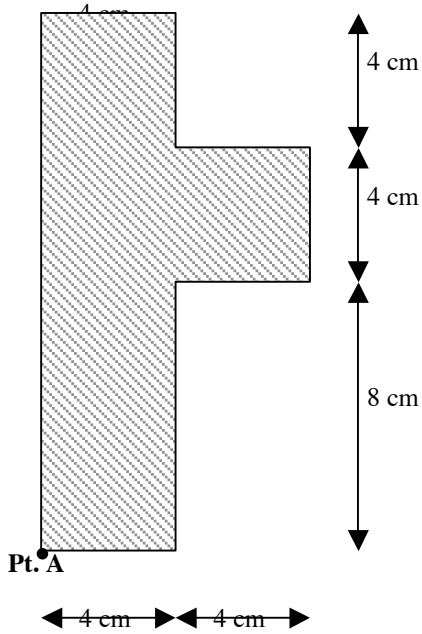
**W4.08H-a**

**Center Of Gravity / Center Of Mass**

[1] How far to the right of point “A” should a fulcrum/support be placed in order to balance the object?

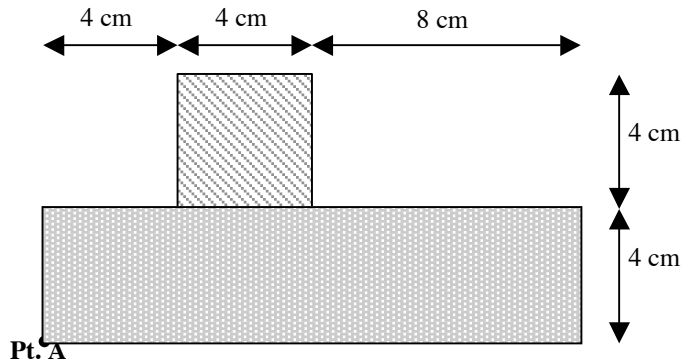


[2] How far to the right of point “A” should a fulcrum/support be placed in order to balance the object?



**W4.08H-b****Center Of Gravity / Center Of Mass**

[1] How far to the right of point “A” should a fulcrum/support be placed in order to balance the object? Note: the cross-hatched portion of the object is made of material three times as dense as the rest.



[2] How far to the right of point “A” should a fulcrum/support be placed in order to balance the object? Note: the cross-hatched portion of the object is made of material three times as dense as the rest.

